

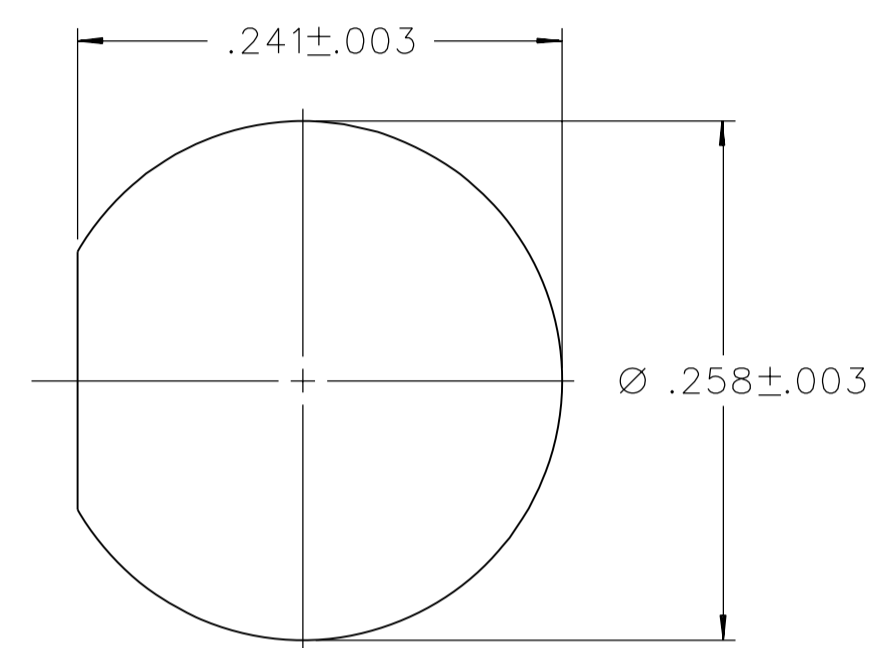
PART NUMBER 141-4901-411	ITEM ① BODY STAINLESS STEEL GOLD PL .00001 MIN OVER NICKEL PL .00005 MIN OVER	ITEM ②③ CONTACTS BERYLLIUM COPPER GOLD PL .00005 MIN OVER NICKEL PL .00005 MIN OVER COPPER PL .00005 MIN	ITEM ④⑤ INSULATORS TEFLON	ITEM ⑥ O-RING SILICONE	ITEM ⑦ SEAL PIN FEEDTHRU PIN & OUTER RING-KOVAR GOLD PL .00005 MIN OVER NICKEL PL .000005 MIN INSULATOR-GLASS	ITEM ⑧ LOCKWASHER STAINLESS STEEL GOLD PL .00001 MIN OVER NICKEL PL .00005 MIN OVER	ITEM ⑨ NUT STAINLESS STEEL GOLD PL .00001 MIN OVER NICKEL PL .00005 MIN OVER
-----------------------------	---	---	---------------------------------	------------------------------	--	---	--

DRAWING NO.
C - 141-4901-411/420

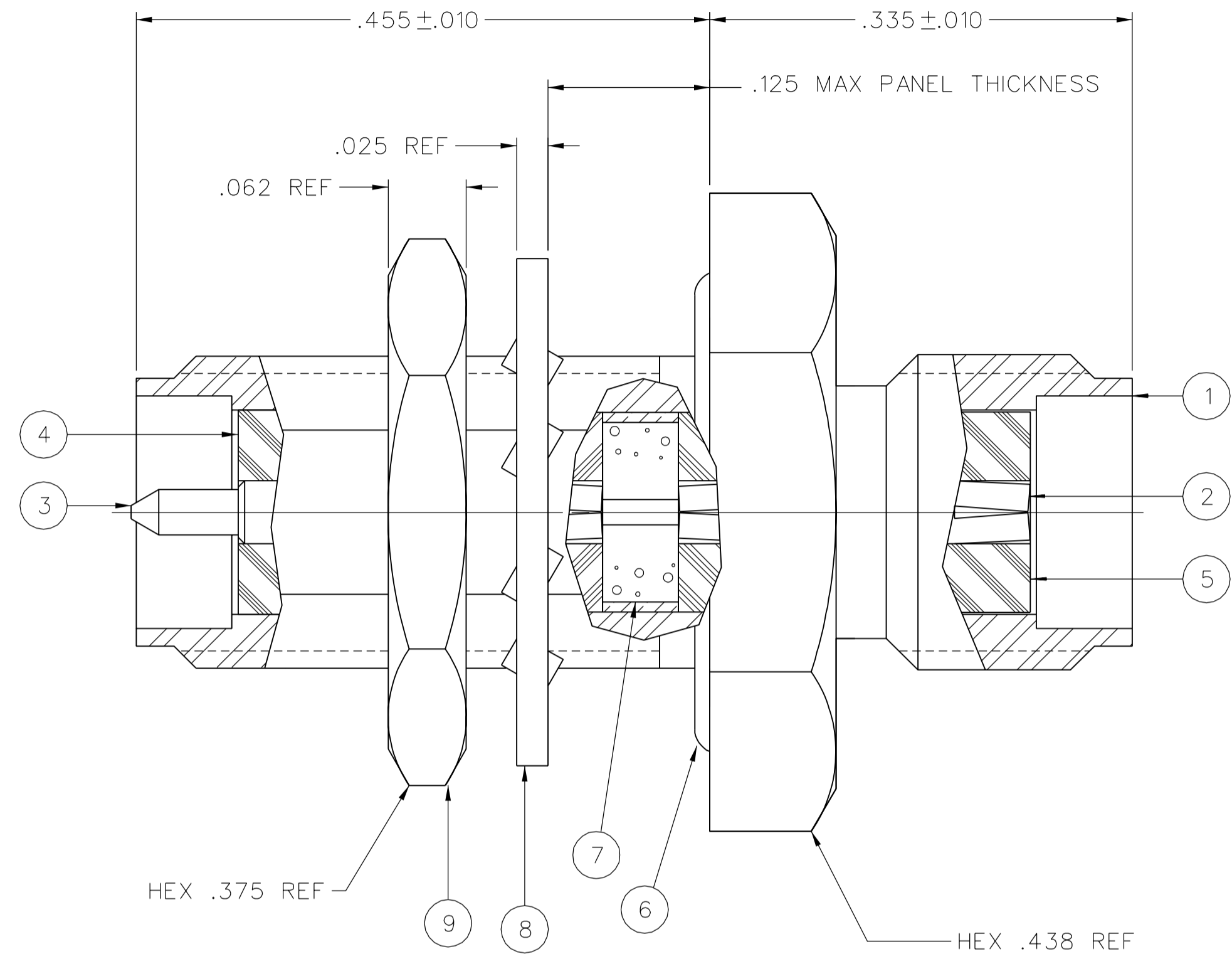
0 REVISIONS

ENGINEERING RELEASE

1	1-22-08	P A T	R J B	M J U	T J S	J C N	1-24-08 ECN 51352
---	---------	-------------	-------------	-------------	-------------	-------------	----------------------



MOUNTING HOLE



NOTES:

1. SPECIFICATIONS:
- IMPEDANCE: 50 OHMS
 - FREQUENCY RANGE: 0-18 GHZ
 - VSWR: 1.05+.01(F) MAX, (F IN GHZ)
 - WORKING VOLTAGE: 500 VRMS MAX AT SEA LEVEL
 - DIELECTRIC WITHSTANDING VOLTAGE: 1500 VRMS MIN AT SEA LEVEL
 - INSULATION RESISTANCE: 5000 MEGOHM MIN
 - CONTACT RESISTANCE:
 - CENTER CONTACT - INITIAL 4.0 MILLIOHM MAX, AFTER ENVIRONMENTAL 6.0 MILLIOHM MAX
 - OUTER CONDUCTOR - INITIAL 2.0 MILLIOHM MAX AFTER ENVIRONMENTAL NOT APPLICABLE
 - BRAID TO BODY - NOT APPLICABLE
 - CORONA LEVEL: 375 VOLTS MIN AT 70,000 FEET
 - INSERTION LOSS: .06 √ F AT 6 GHZ (F IN GHZ)
 - RF LEAKAGE: -90 dB MIN AT 2.5 GHZ
 - RF HIGH POTENTIAL WITHSTANDING VOLTAGE: 1000 VRMS MIN AT 4 AND 7 MHZ

MECHANICAL:

- ENGAGE/DISENGAGE TORQUE: 2 INCH-POUNDS MAX
- MATING TORQUE: 7-10 INCH POUNDS
- COUPLING PROOF TORQUE: 15 INCH-POUNDS MIN
- COUPLING NUT RETENTION: NOT APPLICABLE
- CONTACT RETENTION: 4 LBS MIN AXIAL FORCE
- CABLE ACCEPTABILITY: NOT APPLICABLE
- CABLE HEX CRIMP SIZE: NOT APPLICABLE
- CABLE RETENTION: NOT APPLICABLE
- DURABILITY: 500 CYCLES MIN

ENVIRONMENTAL:

- (MEETS OR EXCEEDS THE APPLICABLE PARAGRAPH OF MIL-A-55339)
- THERMAL SHOCK: MIL-STD-202, METHOD 107, CONDITION B
- OPERATING TEMPERATURE: -65 DEG C TO 165 DEG C
- CORROSION: MIL-STD-202, METHOD 101, CONDITION B
- SHOCK: MIL-STD-202, METHOD 213, CONDITION I
- VIBRATION: MIL-STD-202, METHOD 204, CONDITION D
- MOISTURE RESISTANCE: MIL-STD-202, METHOD 106
- HERMETICITY: NO LEAKAGE AT 20 PSI AIR PRESSURE

CUSTOMER DRAWING

THIS DRAWING TO BE INTERPRETED PER ANS I 14.5M - 1982

"μSTATION"

COMPANY CONFIDENTIAL

TOLERANCE UNLESS OTHERWISE SPECIFIED		DRAWN BY RJB	DATE 1-21-08
DECIMALS	mm	CHECKED BY RJB	DATE 1-24-08
.XX	_____	APPROVED BY TJS	DATE 1-24-08
.XXX	_____	RELEASE DATE	1-24-08
MATL	_____	U/M	INCH
FINISH	_____	SCALE	10:1

Connectivity Solutions
P.O. Box 1732
Waseca, MN 56093
1-800-247-8256

EMERSON
Network Power

TITLE
ADAPTER ASSEMBLY, SMA JACK TO R/P SMA BULKHEAD JACK, HERMETIC SEALED

SHEET 2 OF 2

DRAWING NO.
C - 141-4901-411/420